

# FUTEK MODEL LCF450 (L2900)

# LOW PROFILE UNIVERSAL PANCAKE LOAD CELL

**Drawing Number: FI1011**

**INCH [mm] | R.O.= Rated Output**

WIRING CODE (CC1)

+Excitation	-Excitation	+Signal	-Signal
RED PIN 'A'	BLACK PIN 'B'	GREEN PIN 'C'	WHITE PIN 'D'
+Sense	-Sense		
ORANGE PIN 'E'	BLUE PIN 'F'		

8x Ø0.28 [Ø7.1] THRU EQUALLY SPACED ON 3.50 [88.9] B.C.D.

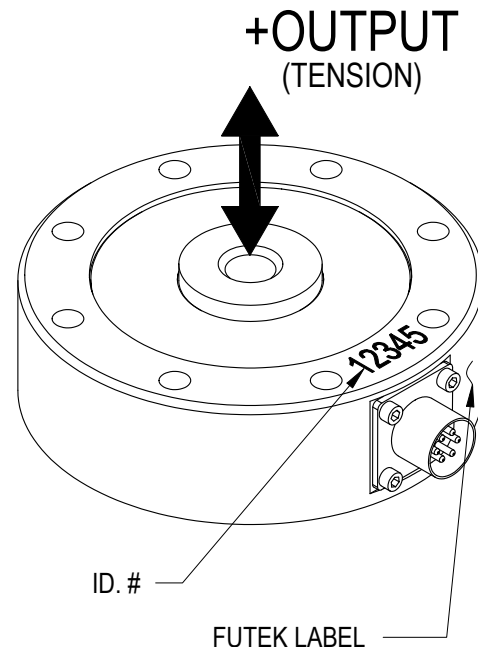
Ø1.27 [Ø32.3]

Ø4.12 [Ø104.6]

BENDIX RECEPTACLE  
PT02A-10-6P  
MATING CONNECTOR  
PT06A-10-6S-SR  
(NOT INCLUDED)

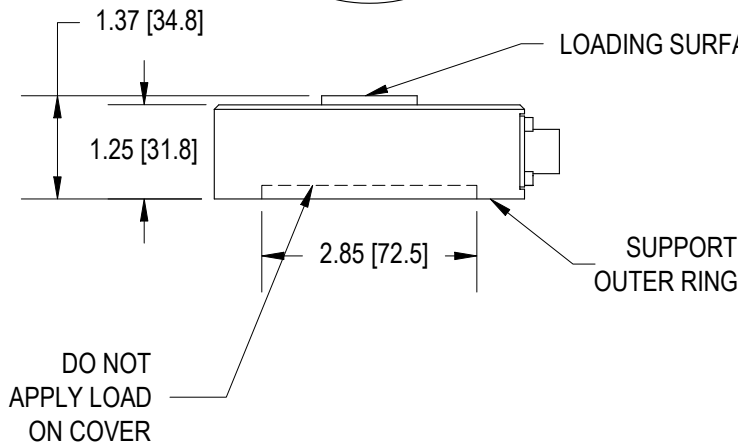
NON  
LOADING  
SURFACE  
DO NOT  
CONTACT

THREAD UNF-2B THRU



LOADING SURFACE

REFER TO LCF455 FOR TENSION BASE VERSION



Stock #	CAPACITY		THREAD	MATERIAL
	lb	N		
FSH00953	300	1334	5/8-18	17-4PH ALLOY STEEL
FSH02050			M16 X 2	
FSH00128	500	2224	5/8-18	ANODIZED ALUMINUM
FSH00132			M16 X 2	
FSH00129	1000	4448	5/8-18	
FSH00133			M16 X 2	
FSH00130	2000	8896	5/8-18	
FSH00134			M16 X 2	
FSH00137	5000	22240	5/8-18	17-4PH ALLOY STEEL
FSH00141			M16 X 2	
FSH00138	10000	44480	5/8-18	
FSH00142			M16 X 2	

## SPECIFICATIONS:

RATED OUTPUT	2 mV/V nom.
SAFE OVERLOAD	150% of R.O.
ZERO BALANCE	±1% of R.O.
EXCITATION (VDC OR VAC)	20 MAX
BRIDGE RESISTANCE	700 Ω
NONLINEARITY	±0.1% of R.O. } HIGHER SPECIFICATIONS OF 0.05% AVAILABLE
HYSTERESIS	±0.2% of R.O. } CONTACT FACTORY
NONREPEATABILITY	±0.02% of R.O.
CREEP	±0.02% of LOAD
TEMP. SHIFT ZERO	±0.001% of R.O./°F [0.0018% of R.O./°C]
TEMP. SHIFT SPAN	±0.002% of LOAD/°F [0.0036% of LOAD/°C]
COMPENSATED TEMP.	60 to 160°F [15 to 72°C]
OPERATING TEMP.	-60 to 200°F [-50 to 93°C]
WEIGHT	ANODIZED ALUMINUM: 1.3lb [0.6kg], 17-4PH/ALLOY STEEL: 3.5lb [1.6kg]
DEFLECTION	0.002 to 0.005 [0.05 to 0.13] nom.
CONNECTOR:	6 Pin BENDIX Receptacle (PT02A-10-6P)
ACCESSORIES AND RELATED INSTRUMENTS AVAILABLE	
CALIBRATION (STD)	5 pt. COMPRESSION; 100K Ω SHUNT CAL. VALUE
CALIBRATION TEST EXCITATION	10 VDC

## OTHER AVAILABLE RECEPTACLES & MATING CONNECTORS

- BENDIX RECEPTACLE (PCO4E-10-6P)
- BENDIX MATING CONNECTOR (PCO6E-10-6S-SR)
- BENDIX RECEPTACLE (PTO2H-10-6P)
- BENDIX MATING CONNECTOR (PTO6A-10-6S-SR)