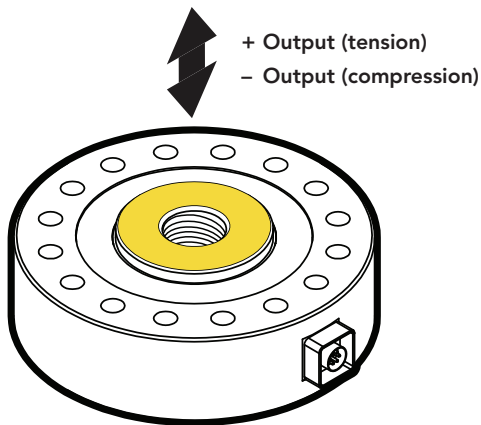




FEATURES

- Low profile design
- 17-4 stainless-steel construction
- For use in both tension and compression
- Utilizes metal foil strain gauge technology

 Active end



SPECIFICATIONS

PERFORMANCE

| | |
|------------------|--------------|
| Nonlinearity | ±0.2% of RO |
| Hysteresis | ±0.2% of RO |
| Nonrepeatability | ±0.02% of RO |

ELECTRICAL

| | |
|-------------------------|---------------------------------------|
| Rated Output (RO) | 4 mV/V nom |
| Excitation (VDC or VAC) | 20 max |
| Bridge Resistance | 350 Ohm nom |
| Insulation Resistance | ≥500 MOhm @ 50 VDC |
| Connection | 6 Pin BENDIX Receptacle (PT02A-10-6P) |
| Connector Code | CC1 |

MECHANICAL

| | |
|----------------------|-------------------------|
| Weight (approximate) | 25 lb [11.3 kg] |
| Safe Overload | 150% of RO |
| Deflection | 0.002 in [0.05 mm] nom |
| Material | 17-4 PH stainless-steel |
| IP Rating | IP64 |

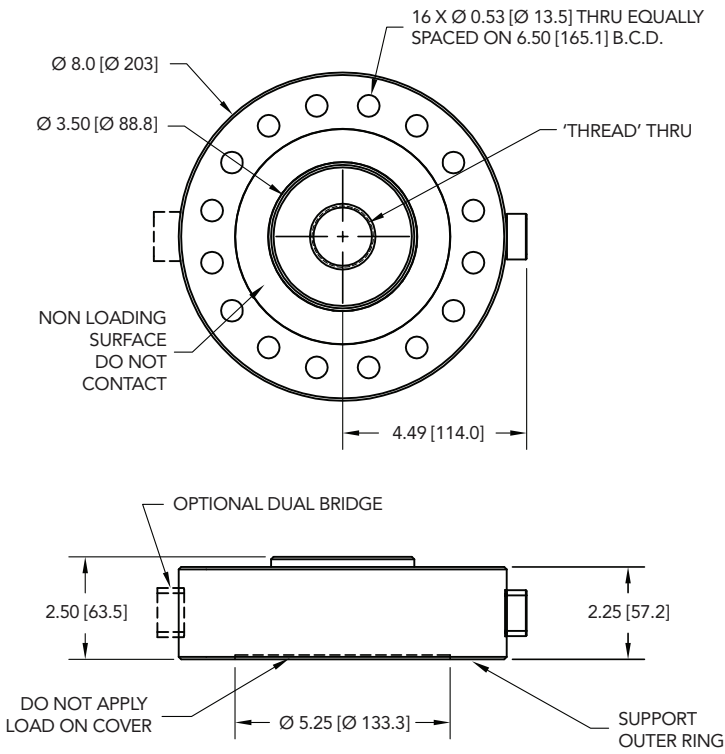
TEMPERATURE

| | |
|-------------------------|---|
| Operating Temperature | -60 to 200°F [-50 to 93°C] |
| Compensated Temperature | 60 to 160°F [15 to 72°C] |
| Temperature Shift Zero | ±0.001% of RO/°F [0.0018% of RO/°C] |
| Temperature Shift Span | ±0.002% of Load/°F [0.0036% of Load/°C] |

CALIBRATION

| | |
|-----------------------------|------------------|
| Calibration Test Excitation | 10 VDC |
| Calibration (standard) | 5-pt compression |
| Shunt Calibration Value | 30 kOhm |

DIMENSIONS inches [mm]



CAPACITIES

| ITEM # | lb | N | Natural Frequency (Hz) | Thread | Dual Bridge |
|----------|--------|--------|------------------------|-------------|-------------|
| FSH02834 | 100000 | 444800 | 8300 | 1 3/4-12-2B | |
| FSH02836 | 100000 | 444800 | 8300 | 1 3/4-12-2B | X |

CONNECTOR CODE

| PIN | CC1 STANDARD |
|-----|--------------------|
| A | + EXCITATION/RED |
| B | - EXCITATION/BLACK |
| C | + SIGNAL/GREEN |
| D | - SIGNAL/WHITE |
| E | + SENSE/ORANGE |
| F | - SENSE/BLUE |

Asia

联系方式

智美康科技（深圳）有限公司

ZHIMK TECHNOLOGY (SHEN ZHEN) CO.,LTD.
Shenzhen , China 518033

Tel: +86 755 8303 5030 / 8989 4565 , 13048972929

Email: liulijun18 @126.com

www.zhimk.com.cn



U.S. Manufacturer