



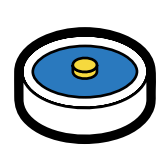
**FEATURES**

- Fully internally temperature compensated (no external conditioning circuitry)
- Subminiature / light weight
- Low deflection / fast response
- 17-4 PH stainless-steel construction
- For use in compression
- Utilizes metal foil strain gauge technology
- Adheres to RoHS directive 2011/65/EU
- Accessories and related instruments available

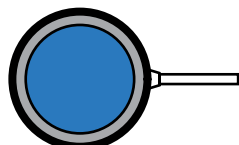
 Non-loading surface, do not contact

 Active End

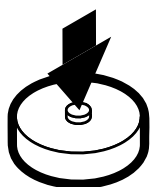
 Fixed end



Top view



Bottom view



+ Output (compression)

**SPECIFICATIONS**

**PERFORMANCE**

Nonlinearity	±0.5% of RO
Hysteresis	±0.5% of RO
Nonrepeatability	±0.1% of RO

**ELECTRICAL**

Rated Output (RO)	2 mV/V 1 mV/V (1000 g, 5 lb) nom
Excitation (VDC or VAC)	7 max
Bridge Resistance	350 Ohm nom
Insulation Resistance	≥500 MOhm @ 50 VDC
Connection	#34 AWG, 4 conductor Teflon, stainless-steel braided shielded cable 5-ft [1.5 m] long
Wiring/Connector Code	WC1

**MECHANICAL**

Weight (approximate)	0.3 oz [8.5g]
Safe Overload	150% of RO
Deflection	0.0005 in [0.013 mm] nom
Material	17-4 PH stainless-steel
IP Rating	IP64

**TEMPERATURE**

Operating Temperature	-60 to 200°F (-51 to 93°C)
Compensated Temperature	60 to 160°F (16 to 71°C)
Temperature Shift Zero	±0.02% of RO/°F (±0.036 of RO/°C)
Temperature Shift Span	±0.02% of Load/°F (±0.036 of Load/°C)

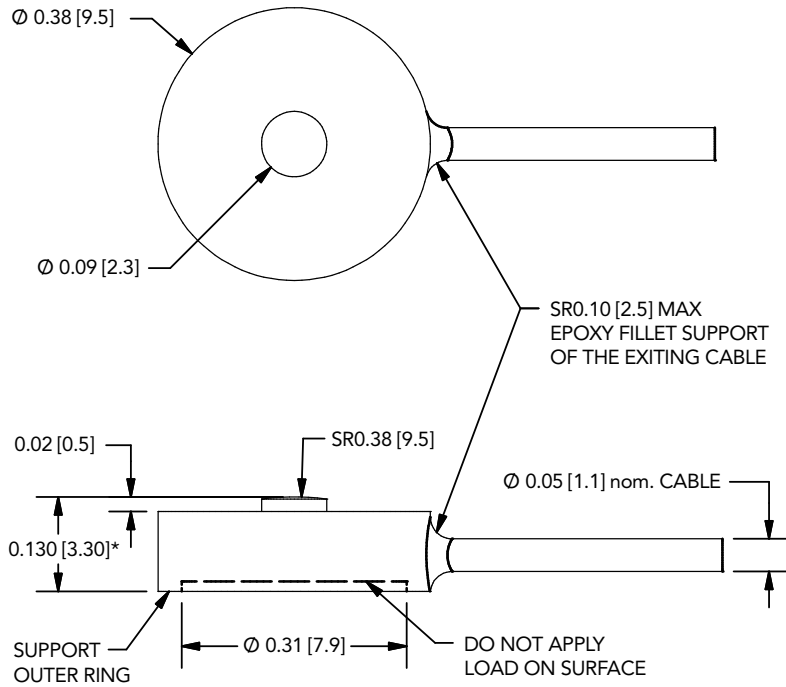
**CALIBRATION**

Calibration Test Excitation	5 VDC
Calibration (standard)	5-pt Compression
Shunt Calibration Value	60.4 kOhm, 100 kOhm (1000 g, 5 lb)

**CONFORMITY**

RoHS	2011/65/EU
CE	EN55011:2009; EN61326-1:2006

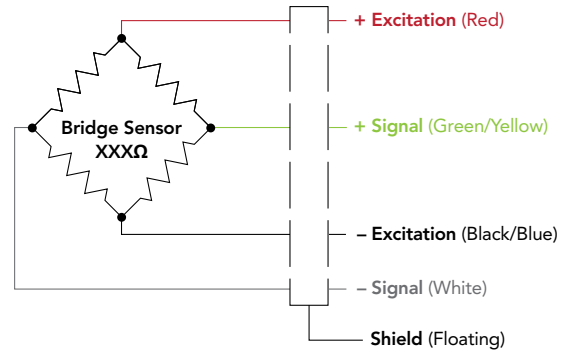
**DIMENSIONS** inches [mm]



\*  $\pm 0.001$  [0.025]

**WIRING CODE (WC1 WITH SHIELD)**

RED	+ EXCITATION
BLACK	- EXCITATION
GREEN	+ SIGNAL
WHITE	- SIGNAL
SHIELD	FLOATING



**CAPACITIES**

ITEM #	lb	N	Natural Frequency (kHz)
FSH03881	1000 g	9.8	20
FSH03769	5 lb	22.2	28.5
FSH03770	10 lb	44.5	28.5
FSH03879	25 lb	111.2	42
FSH03880	50 lb	222.4	52

**Asia**

联系方式

智美康科技（深圳）有限公司

**ZHIMK TECHNOLOGY (SHEN ZHEN) CO.,LTD.**  
Shenzhen , China 518033

Tel: +86 755 8303 5030/8989 4565 , 13048972929

Email: liulijun18@126.com

[www.zhimk.com.cn](http://www.zhimk.com.cn)



R0HS



U.S. Manufacturer