

# LL-10 系列安装指南

## 安装

LL-10 可以从侧边，顶部或者底部安装。注意：确认所有的接线，导管和电气连接都应该符合当地的电气规格。

## 外观检验

打开包装检查有无外观破损，如果有任何破损，请立即和制造商联系。

## 预安装

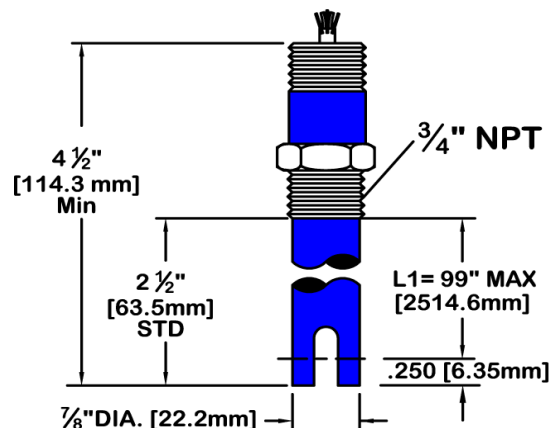
在安装使用该产品前，请做一个简单的功能检查如下：

1. 在一个容器里面装满液体。
2. 对着连线图进行正确的连接。警告！请不要在危险的环境中打开壳体或者没有先断开电源的情况下连接电路。
3. 接通电源。
4. 把该产品放入液体中，并观察输出变化。
5. 把该产品从液体当中移出，观察输出是否回到原始状态。
6. 系统功能应该是正常的。如果出现异常，请立即联系制造商
7. 断开电源连接。
8. 继续进行最终安装。

## 最终安装

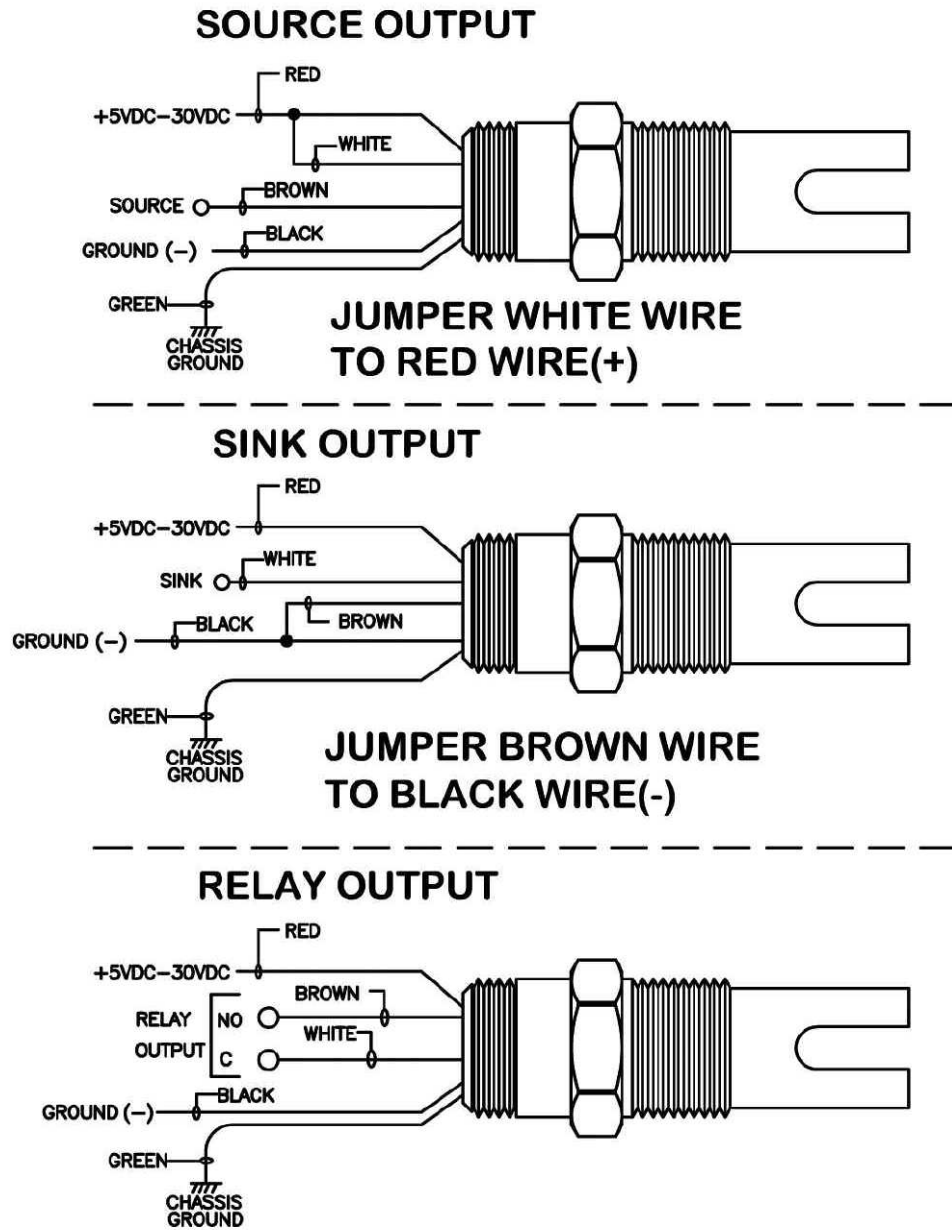
1. 在一个器皿或者管子的壁上钻一个孔，并且装上一个 3/4 英寸、1/2 英寸或者 1/4 英寸的美制螺纹接口。不适合在薄的器皿壁或者材料上开螺纹孔、焊接或者铜焊一个接口来适配该产品。
2. 把该产品旋进到容器并确保结合时是密封的。用一个管子复合物或者螺纹密封带在结合部来避免过度的拧紧。请不要过度拧紧。
3. 把该产品和控制电器设备相连并接通电源。如果出现不工作状态，请立即联系制造商。

## 机械尺寸 英寸 [mm]





## 典型接线方式



# LL-10 系列安装指南



**保修及退换货政策，中英文如有差异，以英文为准。**

**Warranty:** MEASUREMENT SPECIALTIES warrants title to the product sold hereunder and that for a period of 1 year from date of shipment it conforms to Measurement Specialties specifications and is free from defects in material and workmanship. If the product fails to meet said warranties, Measurement Specialties shall, at its option, replace/repair the non-conforming product at no cost to Buyer. Repair/replacement shall be Buyer's sole and exclusive remedy for a breach of warranty. MEASUREMENT SPECIALTIES MAKE NO OTHER WARRANTY AND EXPRESSLY DISCLAIMS ALL OTHER WARRANTIES OF ANY KIND, EXPRESS OR IMPLIED, INCLUDING ANY WARRANTY OF MERCHANTABILITY, FITNESS OF THE PRODUCT FOR ANY PARTICULAR PURPOSE EVEN IF THAT PURPOSE IS KNOWN TO MEASUREMENT SPECIALTIES, OR ANY WARRANTY RELATING TO PATENTS, TRADEMARKS, COPYRIGHTS OR OTHER INTELLECTUAL PROPERTY.

**保修：**精量保证从产品寄出后的一年内从产品的材料到工艺都进行免费保修。如果产品符合精量保修范围，精量将不收取任何费用对不良品进行维修或者替换。维修或者替换对于买方来说属于补救措施之一。

This warranty applies to general purchases and to components installed, serviced and operated according to Measurement Specialties, Inc. Installation Manuals.

这个保修条款适用于正常购买渠道的产品，并且这些产品是按照精量的安装指南进行安装的。

All claims must be in writing and made within the warranty period. No claims outside of the warranty period will be honored. Any products returned must be with prior written authorization from Measurement Specialties.

所有的保修必须发生在保修期间内才有效，任何的退货必须先取得精量的书面授权。

This warranty does not apply to any components which have been damaged by improper installation, use exposure to unusual atmospheric conditions, or components which have been misused, misapplied, abused and/or damaged by neglect or accident, or to any components which may have been altered or repaired without the prior written consent of Measurement Specialties. The warranty does not extend to defects or damage due to normal wear and tear.

没有按照安装说明书上进行安装、暴露在非正常的大气环境、零件被错误使用、由于疏忽或者事故引起的滥用、没有在得到精量的书面认可前私自进行变更或者维修等造成的产品或者相关零件破坏不在保修范围内。该保修也不包括由于正常磨损引起的破坏或者失效。

Unless otherwise agreed to in writing, Measurement Specialties assumes no responsibility or liability for any labor, material, or back charges.

除非有额外的书面说明，精量不负责人工，材料或者其他费用。

**Return Policy:** You must contact a Measurement Specialties customer service representative for a Return Authorization Number (RMA). Return the goods- freight prepaid- in the original container and include original packing clip. C.O.D. returns are not accepted. Measurement Specialties reserves the right to restocking charges.

**退货原则：**客户必须先联系精量的客服代表申请一个授权的退货号码。

## 联系方式

### Asia

智美康科技（深圳）有限公司

**ZHIMK TECHNOLOGY (SHEN ZHEN) CO.,LTD.**

Shenzhen, China 518033

Tel: +86 755 8303 5030/8989 4565, 13048972929

Email: liulijun18@126.com

[www.zhimk.com.cn](http://www.zhimk.com.cn)

# LL-10 系列安装指南



The information in this sheet has been carefully reviewed and is believed to be accurate; however, no responsibility is assumed for inaccuracies. Furthermore, this information does not convey to the purchaser of such devices any license under the patent rights to the manufacturer. Measurement Specialties, Inc. reserves the right to make changes without further notice to any product herein. Measurement Specialties, Inc. makes no warranty, representation or guarantee regarding the suitability of its product for any particular purpose, nor does Measurement Specialties, Inc. assume any liability arising out of the application or use of any product or circuit and specifically disclaims any and all liability, including without limitation consequential or incidental damages. Typical parameters can and do vary in different applications. All operating parameters must be validated for each customer application by customer's technical experts. Measurement Specialties, Inc. does not convey any license under its patent rights nor the rights of others.

## Asia

### 联系方式

智美康科技（深圳）有限公司

**ZHIMK TECHNOLOGY (SHEN ZHEN) CO.,LTD.**  
Shenzhen , China 518033

Tel: +86 755 8303 5030/8989 4565 , 13048972929

Email: liulijun18@126.com

[www.zhimk.com.cn](http://www.zhimk.com.cn)