

# 80 kHz Cylindrical Ultrasound Transducer

Omni-directional Horizontal Beam Directivity  
Broad Bandwidth  
Low Resonance Q  
Excellent Impact Resistance  
Lightweight  
Low Cost



**Piezoelectric Film (PVDF) 80 kHz Ultrasound Transducers** offer unique advantages for air ranging applications. Cylindrical 80kHz PVDF transducers exhibit omni-directional horizontal beam directivity and broad bandwidth characteristics. These characteristics lend unique solutions in many applications such as two-dimensional positioning, digitizer, object detection, and distance measurement. Depending on the applications, resonance frequency and vertical beam directivity of the transmitter can easily be customized by changing the diameter and length of the PVDF cylinder.

PVDF ultrasound transducers also have very low resonance "Q" values. Typically, PVDF transmitters have a Q value of 5. This means that the signal rise and decay times are much shorter than conventional ceramic ultrasound transducers. This characteristic is ideal for positioning applications.

## FEATURES

- PVDF Thickness: 30  $\mu\text{m}$
- Resonance Frequency: 80-90 kHz
- Resonance Q: 4-8 Transmitter; 6-9 Receiver
- Sound Pressure Output: 6 mPa/Vp 102 dB
- Sensitivity: 0.3 mV/Pa, -90 dB
- Horizontal Beam Directivity: 360°
- Vertical Beam Directivity:  $\pm 25^\circ$
- Capacitance: 200 pF
- Drive Voltage: max 400 Vp, max. 100 Vp
- Storage Temperature: -20°C to +85°C
- Operating Temperature: +5°C to +60°C

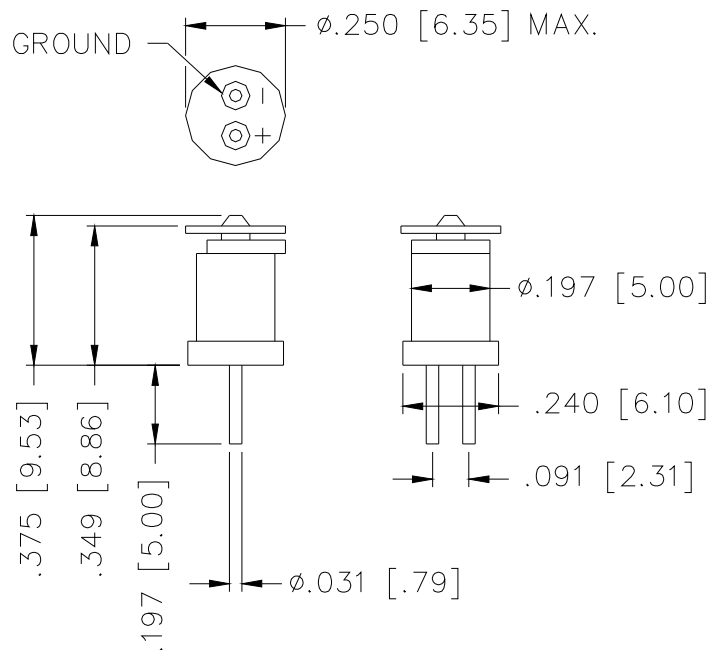
## APPLICATIONS

- Air Ranging Distance Measurement
- Object Detection
- Position Detection
- Digitizers
- Ultrasonic Mouse

## specifications

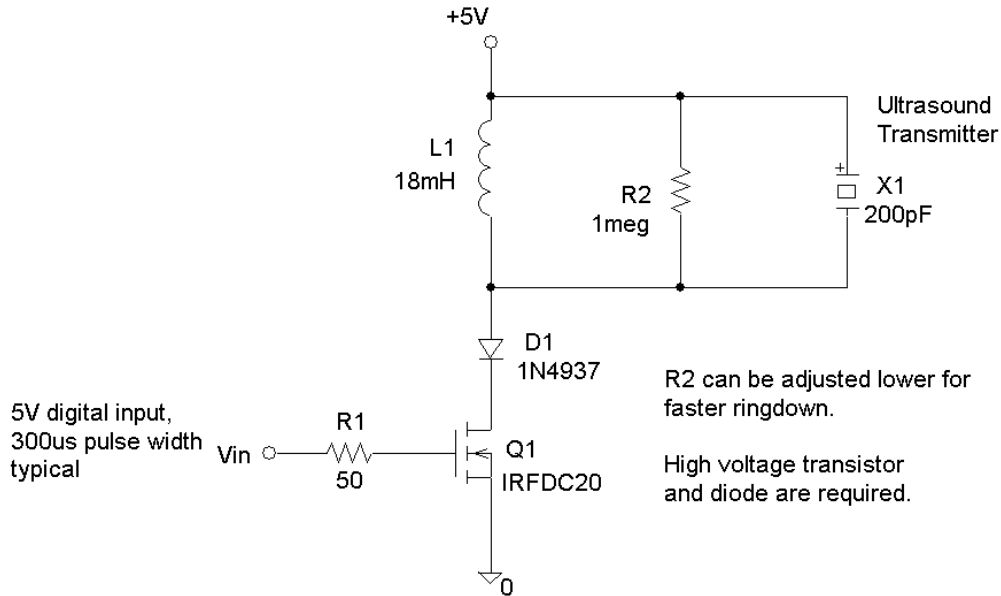
Characteristics	Transmitter Mode	Receiver Mode	Units
<b>PVDF Thickness</b>	30	30	μm
<b>Resonance Frequency</b>	80 – 90	80 – 90	kHz
<b>Resonance Q</b>	4 – 8	6 - 9	
<b>Sound Pressure Output</b>	6		mPa/V
	102		dB
<b>Sensitivity</b>		0.3	mPa/V
		-90	dB
<b>Horizontal Beam Directivity</b>	360	360	Degree
<b>Vertical Beam Directivity</b>	±25	±25	Degree
<b>Capacitance</b>	200	200	pF
<b>Drive Voltage</b>	max 400		Vp
	max 100		
<b>Storage Temperature</b>	-20 to +85	-20 to +85	°C
<b>Operating Temperature</b>	+5 to +60	+5 to +60	°C

## mechanical dimensions

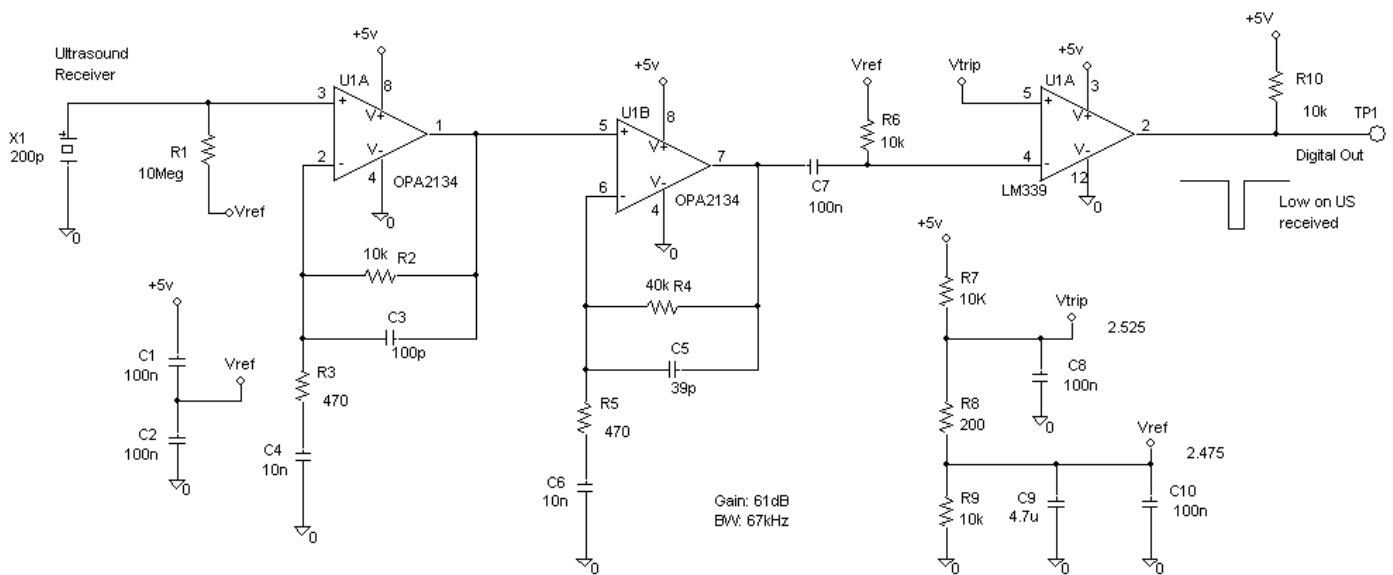


## typical interface circuits

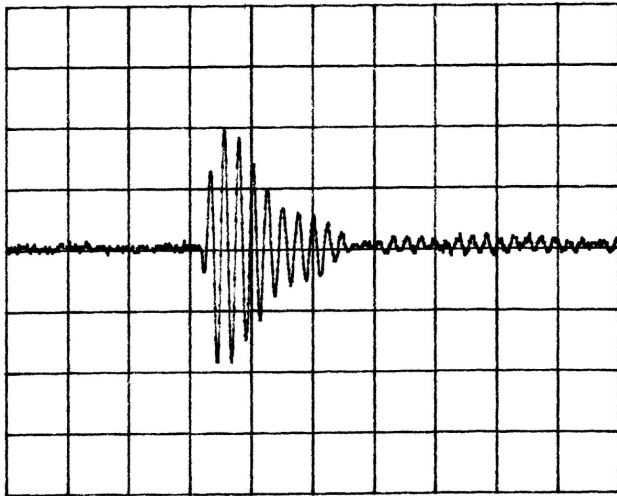
### (a) Transmitter Drive Circuit Example



### (b) Receiver Amplifier Circuit Example

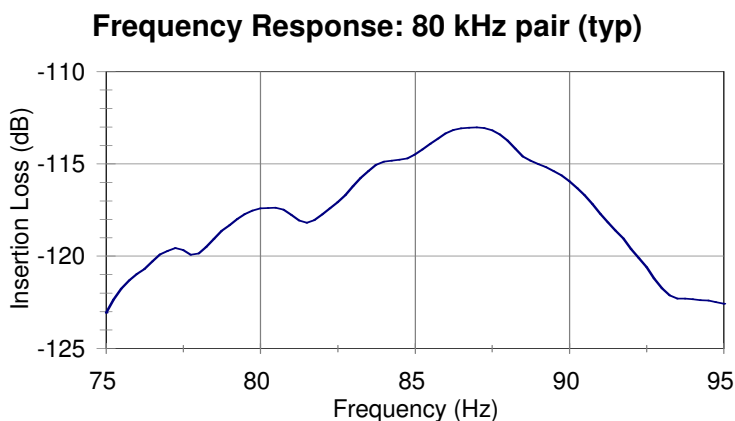


## Typical Time Response of PVDF Transmitter and Receiver System



The plot at left shows the time-domain response obtained when one device is driven as a transmitter, and another is used as receiver at a distance of 30 cm. The drive signal comprised a single cycle at 400 V pk-pk. Receiver gain was +26 dB.

(Scale: time (X) 50 us/div, amplitude (Y) 2mV/div)



The plot at left shows an estimate of the frequency response curve for two identical units, one driven as transmitter, the other acting as a receiver. The spectrum of the received signal was divided by that of the drive signal and gain stage, giving the overall insertion loss as a function of frequency (measured at 30 cm distance, in air).

Note that the Q factor (center frequency divided by  $-6$  dB bandwidth) for the complete system is very low: around 5.4 in the plot shown above. The minimum value of insertion loss was  $-113$  dB at 87 kHz. This means that a 1Vrms drive signal at this frequency would create a 2.2  $\mu$ Vrms response. Thus, higher voltage drive signals are preferred (see section entitled "Design Notes" below), and relatively high gain may be required in the receiver electronics.

## design notes

- Transmitter sound pressure output is linearly proportional to the drive voltage.
- Maximum drive voltage for PVDF transmitter is 400 V<sub>peak</sub> for a single pulse and 100 V<sub>peak</sub> for continuous pulses.
- Operating frequency may be selected in the range 80KHz to 90KHz (low Q transducer).
- Shielding is necessary for the ultrasound receiver and preamplifier circuit to minimize electromagnetic pick-up. Make sure the outer electrode of PVDF receiver is grounded.
- Input capacitance of preamplifier should be less than PVDF receiver capacitance (200pF typical) to minimize loading effects.
- To maximize S/N ratio, a narrow band-pass filter is recommended. On the other hand, if the filter has too narrow a pass-band, signal strength may be decreased. An example of pass band is 70KHz - 100K.
- Selection of input resistance is important to maximize the S/N (10M ohm is used in the above preamplifier circuit example).
- Low noise amplifiers are recommended.

The information in this sheet has been carefully reviewed and is believed to be accurate; however, no responsibility is assumed for inaccuracies. Furthermore, this information does not convey to the purchaser of such devices any license under the patent rights to the manufacturer. Measurement Specialties, Inc. reserves the right to make changes without further notice to any product herein. Measurement Specialties, Inc. makes no warranty, representation or guarantee regarding the suitability of its product for any particular purpose, nor does Measurement Specialties, Inc. assume any liability arising out of the application or use of any product or circuit and specifically disclaims any and all liability, including without limitation consequential or incidental damages. Typical parameters can and do vary in different applications. All operating parameters must be validated for each customer application by customer's technical experts. Measurement Specialties, Inc. does not convey any license under its patent rights nor the rights of others.

## ordering information

Description	Part #
80KHz Transducer w/o cage	1005919-1

### Asia

#### 联系方式

智美康科技（深圳）有限公司

**ZHIMK TECHNOLOGY (SHEN ZHEN) CO.,LTD.**  
Shenzhen , China 518033

Tel: +86 755 8303 5030 / 8989 4565 , 13048972929

Email: liulijun18@126.com

[www.zhimk.com.cn](http://www.zhimk.com.cn)